

1

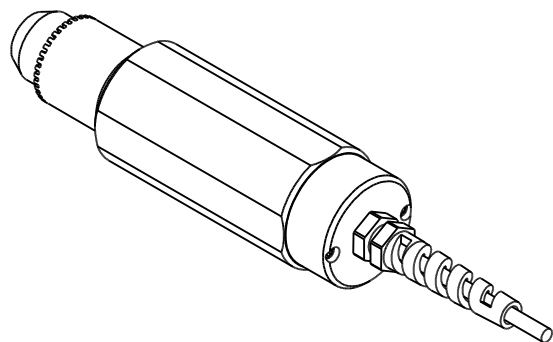
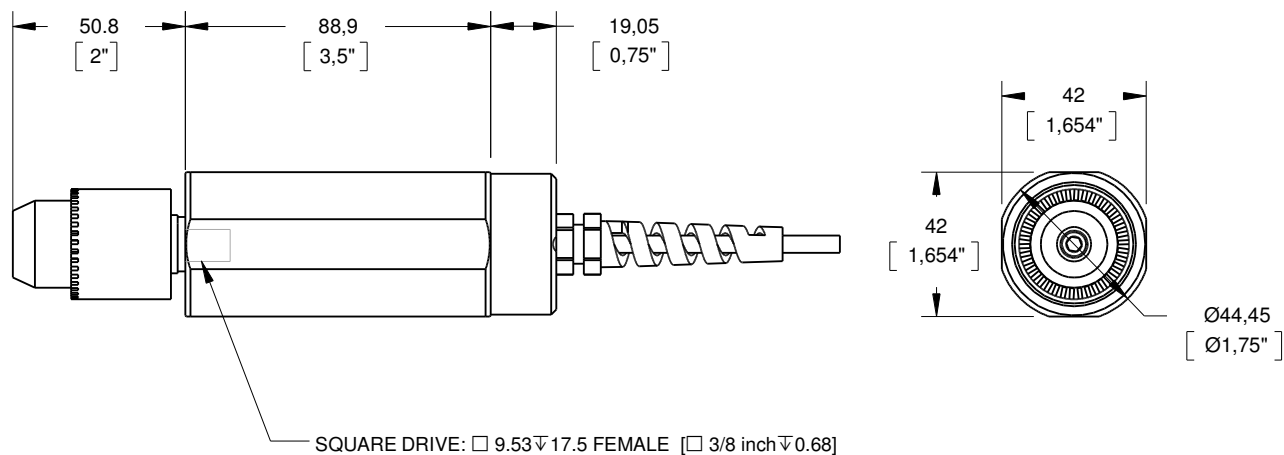
2

3

4

TORQUE GAUGE & ANGLE WITH HANDLE SENSOR

CAPACITY:	0.3Nm / 1.5Nm / 6Nm / 12Nm [50ozin, 15inlb, 50 inlb, 100 inlb]
TORQUE ACCURACY:	0.5% FS
ANGLE ACCURACY:	2% READING
WEIGHT:	350g (570g with drill chuck)
CAPACITY DRILL CHUCK:	1.5 -10mm [1/16 - 3/8 inch]
SQUARE DRIVE:	□ 9.53▽17.5 FEMALE [□ 3/8 inch▽0.68]



Drawn name:		Assembly name:	
DATA SHEET		TORQUE GAUGE & ANGLE WITH HANDLE SENSOR	
Date of creation:			
			03/06/2020
Rev:	Date:	Description:	
1	03/06/2020	ORIGINE	
Drawn by:	Item:	Ref assembly:	
CA			

1

2

3

4

1

2

3

4

CENTOR TOUCH EXTERNAL SENSOR

Applications:
Wire :
WHEIGHT:

torque & angle
400 to 1600mm [15.7" to 63"]
0.7kg

A

A

B

B

C

C

D

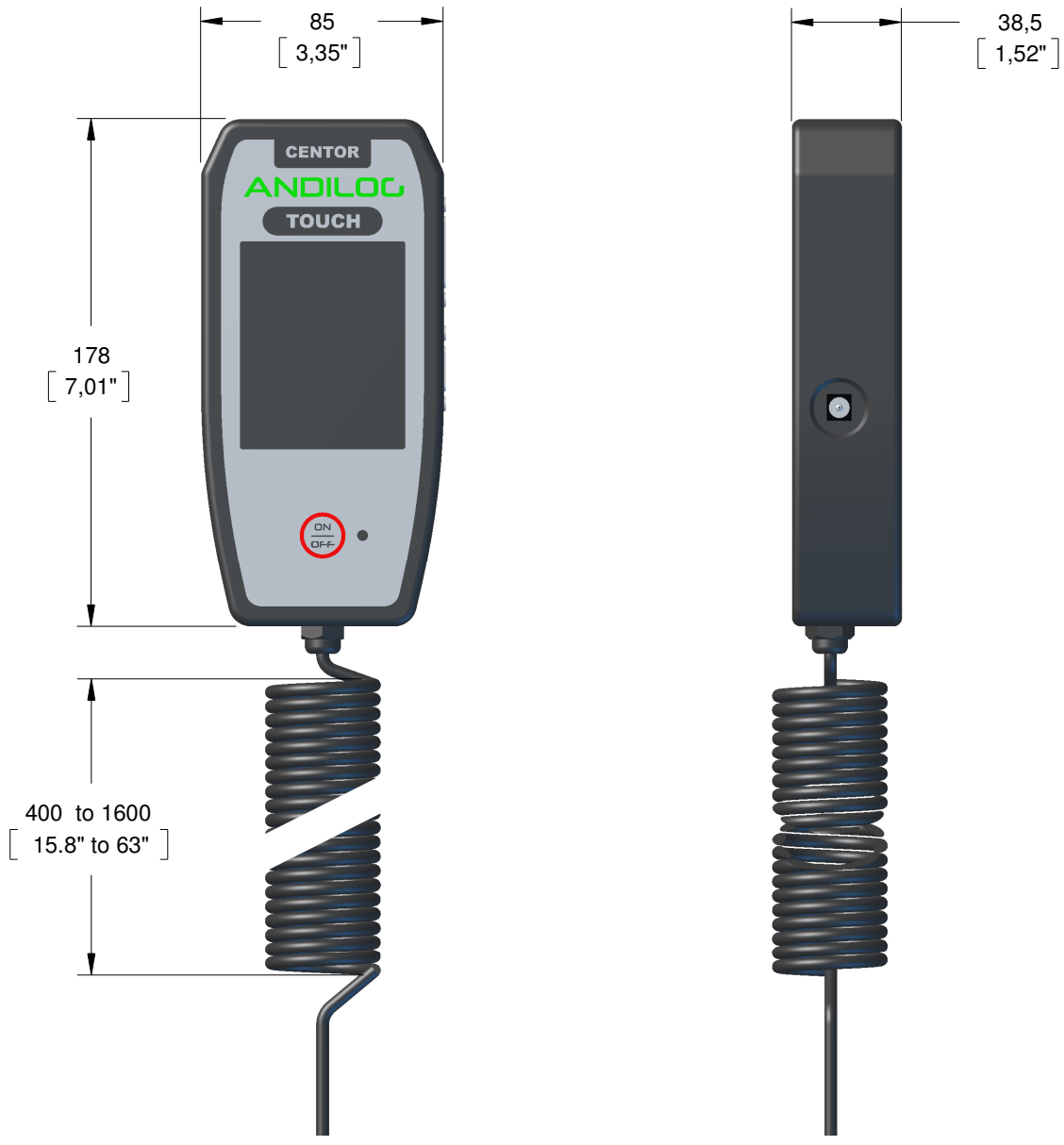
D

E

E

F

F



Drawn name: NOMENCLATURE[BOM]		Assembly name: Centor Touch external sensor	
			Date of creation:

Rev: 1	Date: 03/06/2020	Description: ORIGINE
-----------	---------------------	-------------------------

Drawn by: CA	Item:	Ref assembly:
-----------------	-------	---------------

1

2

3

4